

KULIK



S Y S T E M

ASSEMBLY INSTRUCTIONS ERGONOMIC SPACE CHAIR

EQUIPMENT



2 шт

9



2 шт

10



5 шт

17



1 шт

12



1 шт

11



3 шт

13



2 шт

14



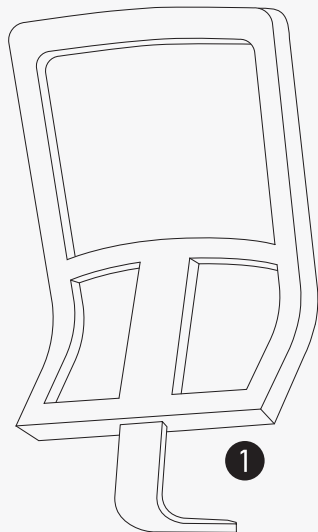
2 шт

15



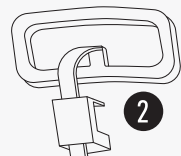
10 шт

16



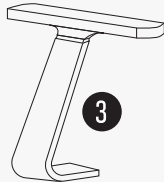
1

1 шт



2

1 шт



3

2 шт

5

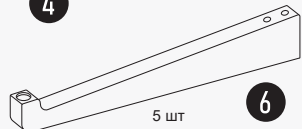


1 шт



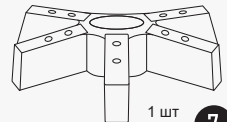
4

1 шт



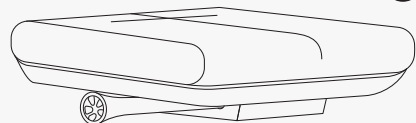
6

5 шт



7

1 шт



8

1 шт

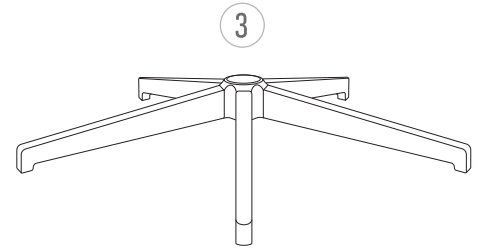
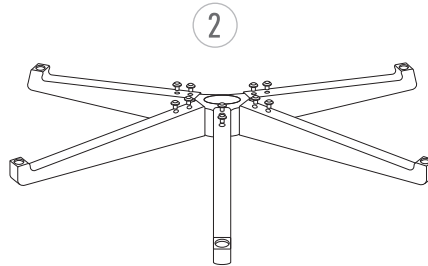
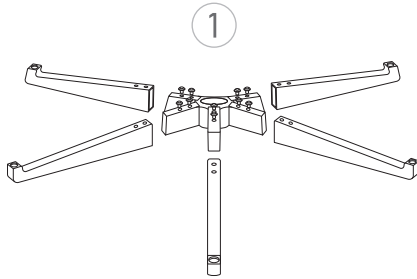


18

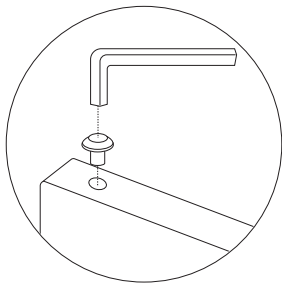
1 пара

1

ASSEMBLING THE BEAMS



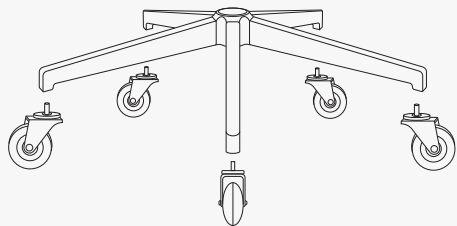
Place assembling the star base (5)
of the star base into the connector (7).



2

INSTALLING THE CASTERS

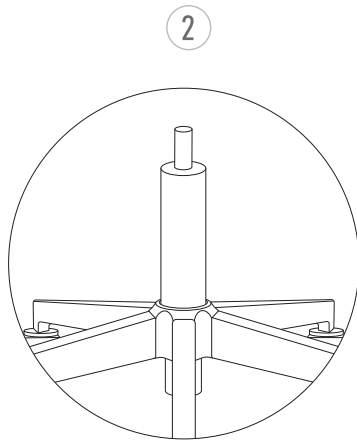
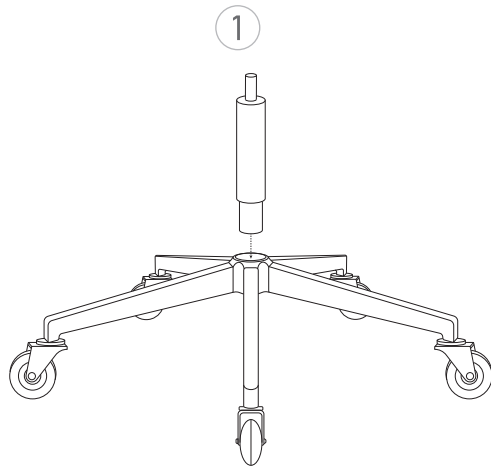
1



Install the casters (11) into the star base, as far as they will go.



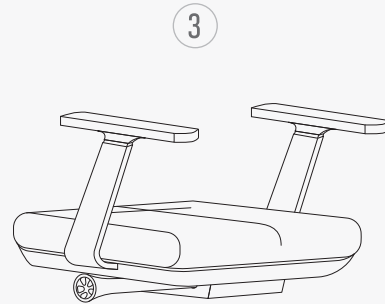
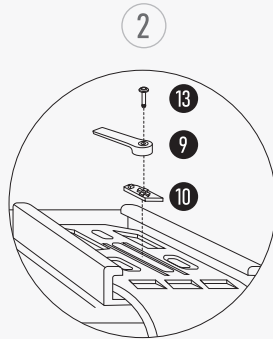
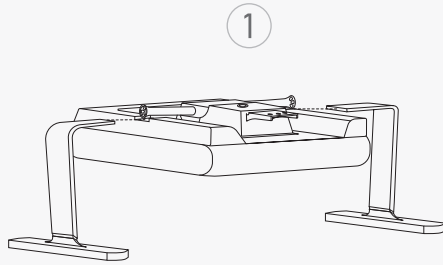
3 INSTALLING THE GAS LIFT



Place the gas lift (5) into the hole in the star base.

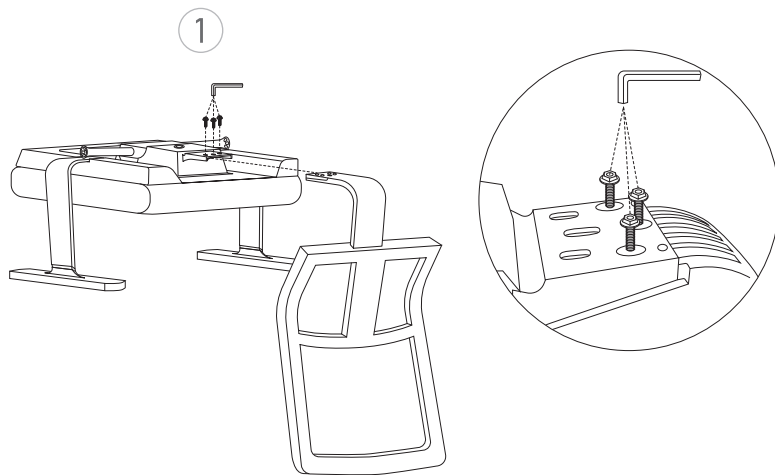
4

INSTALLING THE ARMRESTS



Attach the armrests (3) to the chair seat (8). Insert the spare part (10) into the guide in the middle of the armrest attachment so that the teeth are point upwards. Cover with the spare part (9) and insert the bolt (13).

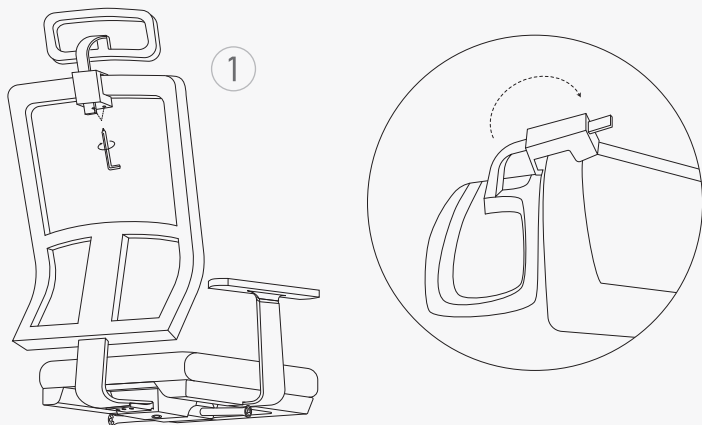
Tighten the bolt with the hexagon (11) as far as it will go. Note that the spare part (10) has R and L marks on it, which indicate the right (R) and left (L) armrests respectively.



Attach the backrest (1) of the chair to the seat with the mechanism (8) using the bolts (13).

5 ATTACHING THE BACKREST



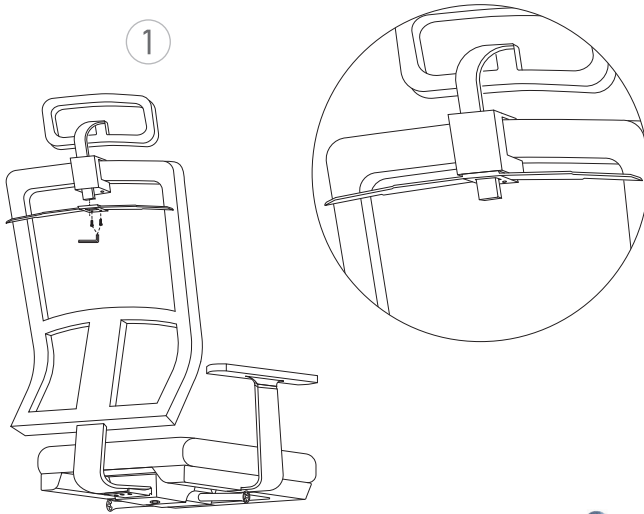
6**FITTING THE HEAD RESTRAINT**

Remove the bolts from the headrest (2).
Secure the headrest by hooking the it
on the top edge of the seat until it clicks
into place, then lower it down.



7

INSTALLING THE COAT RACK

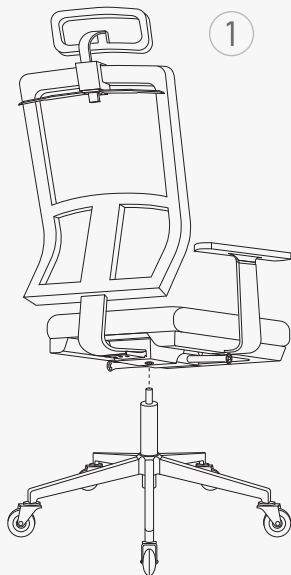


Fasten the bolts (15) the coat rack (4) to the headrest.



8

MOUNTING THE CHAIR ON THE GAS LIFT



Place the chair on the gas lift (5) with the armrest.



The chair's shape repeats the natural anatomical contours of your body, corrects the posture, prevents the occurrence and progression of spine diseases and ensures health and comfort.

ABOUT SYSTEM

Ergonomic headrest to reduce stress on the cervical spine



Posture correction of the thoracic spine



Lumbar support



Load reduction on the coccyx



Control of the correct pelvis positioning



Provision of the free air circulation



KULIK SYSTEM CHAIR SPACE



COSMIC GREY



FIRE RED



OCEAN BLUE



ONYX BLACK



MYSTIC GREEN

CUSTOMIZED CHAIR

Exclusive solutions in the chair design are oriented to demanding users who can assess individuality.



Azure is a burlap-like fabric with an exquisite weave of two threads, offering a rich palette of colors and a pleasant cotton base.



MULTISYNCHRO ADAPTIVE MECHANISM



PURCHASE INFORMATION

[Large empty dotted box for purchase information]

Date of sale

Seller

Seller's signature

Buyer's signature

By affixing his/her signature, the Buyer confirms that he/she has acknowledged and accepted the aftersales service conditions and that he/she has no complaints against the outside appearance and the colour of the product.

Made by request of: Kulik Company Italy S.R.L., Via Sebino, 13-20137 Milano

WARRANTY LEAFLET

Warranty leaflet #1

Date of receipt:

Claimed defect:

Service person:

Date of delivery:

Received:

Warranty leaflet #3

Date of receipt:

Claimed defect:

Service person:

Date of delivery:

Received:

Warranty leaflet #2

Date of receipt:

Claimed defect:

Service person:

Date of delivery:

Received:

Warranty leaflet #4

Date of receipt:

Claimed defect:

Service person:

Date of delivery:

Received:

WWW.CYBERCHAIR.COM